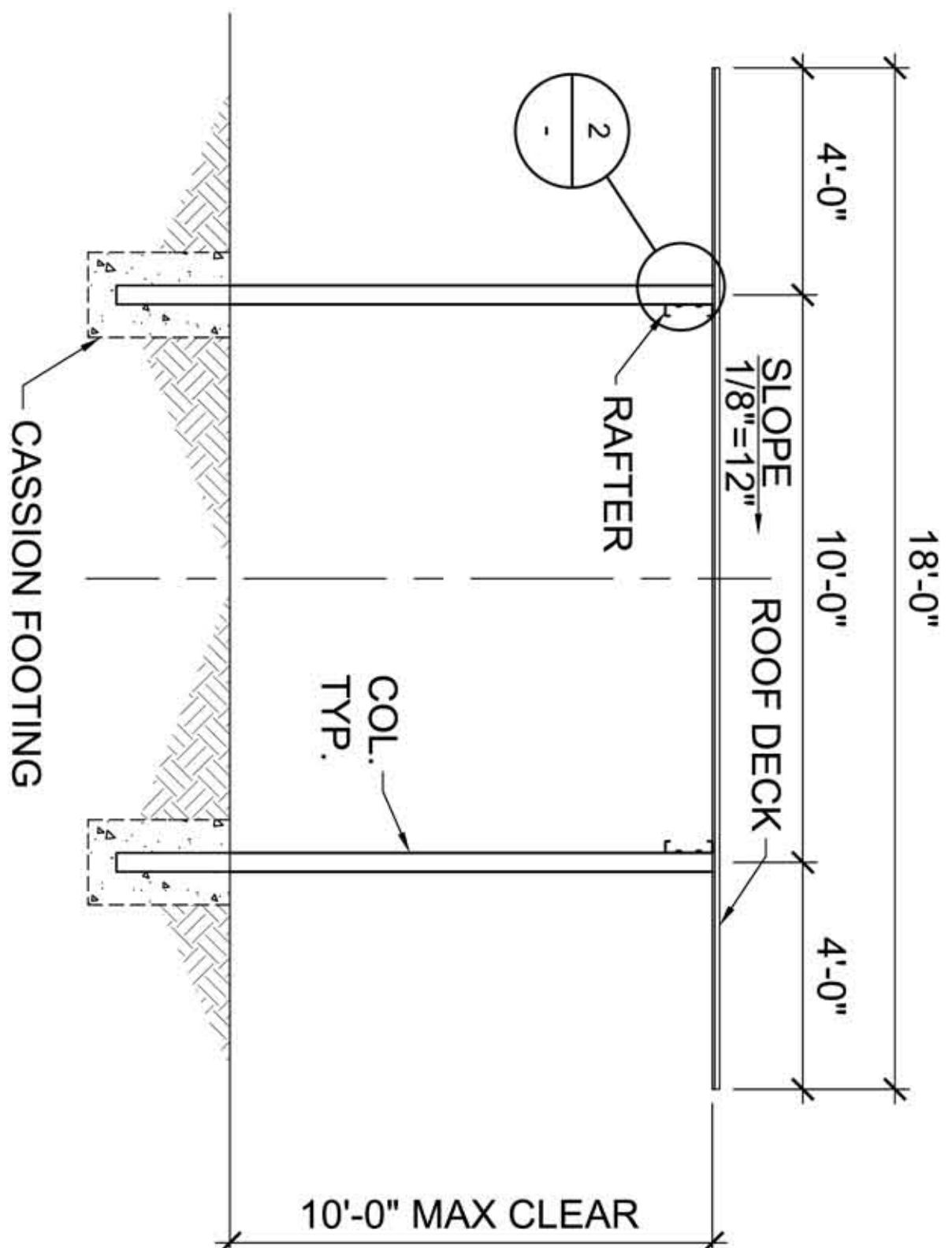


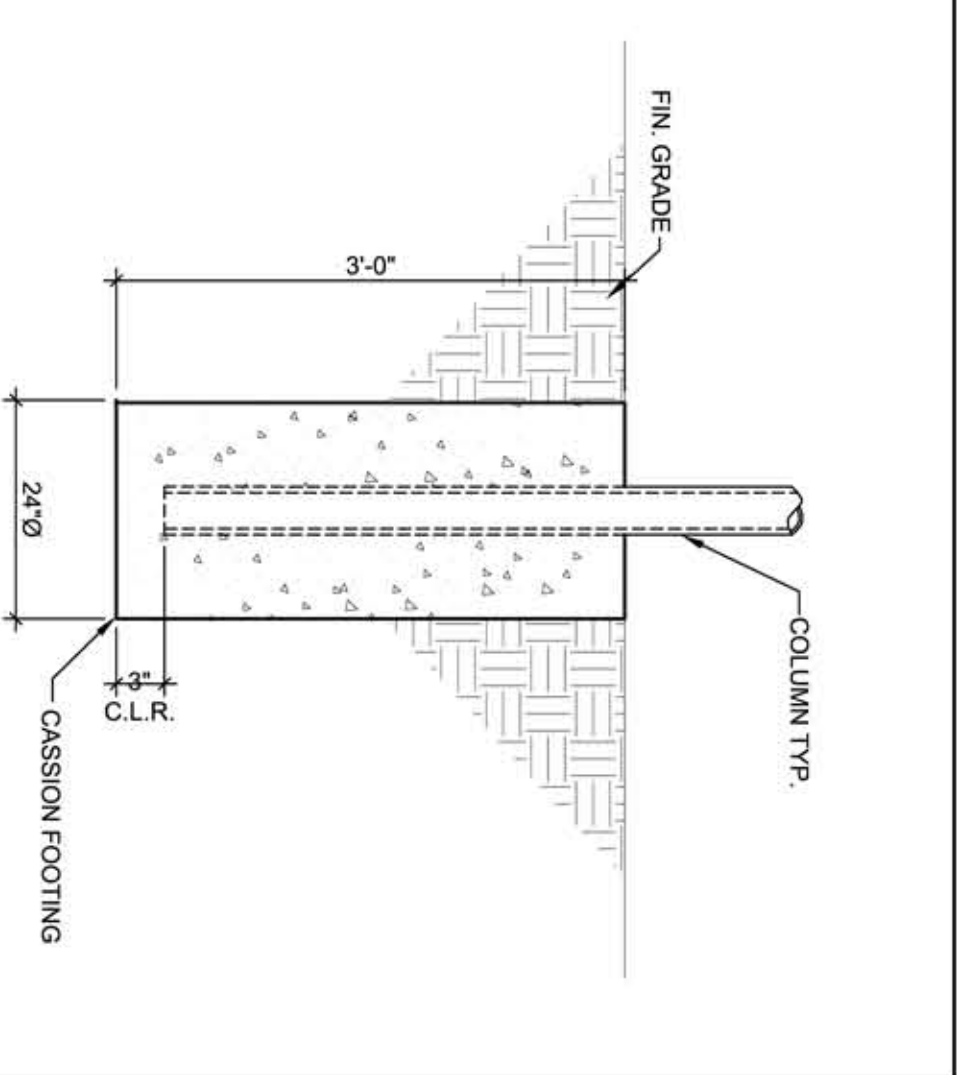
ROOF FRAMING & FOUNDATION PLAN

SCALE: 1/4" = 1'-0"



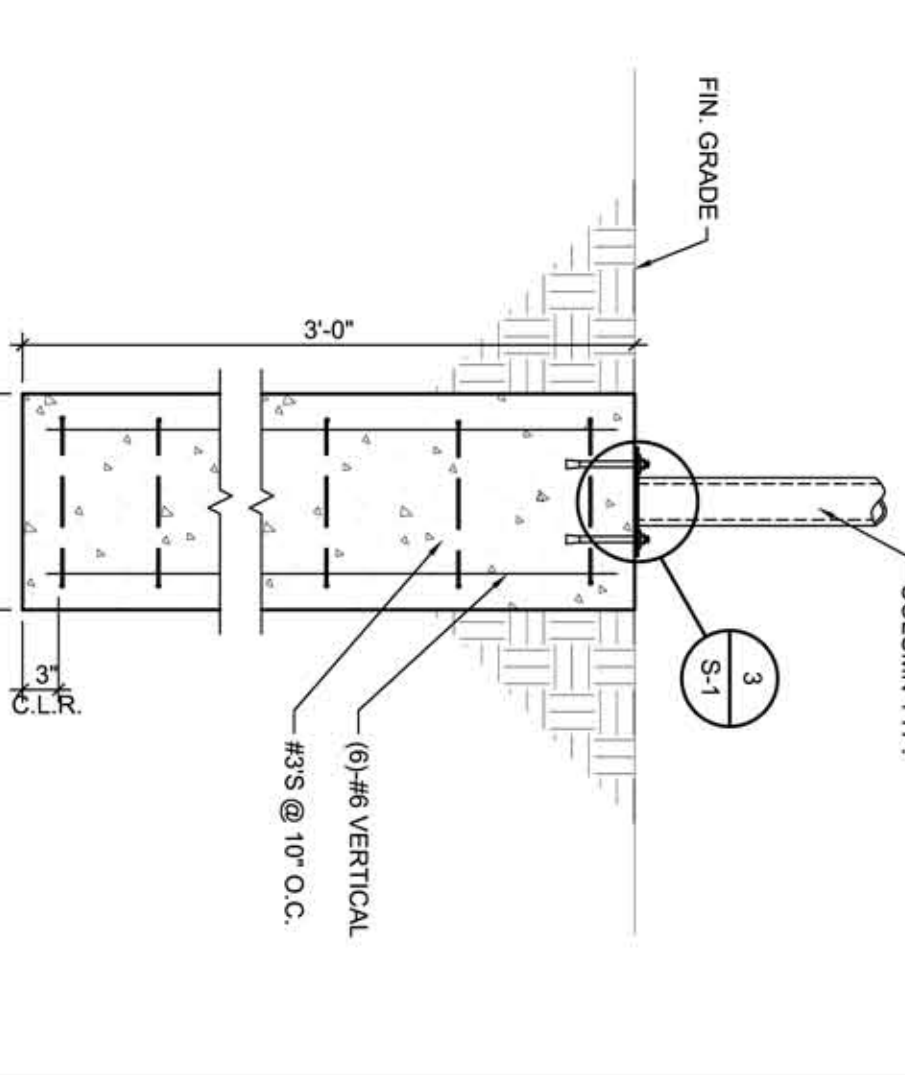
FRONT ELEVATION

SCALE: 1/4" = 1'-0"



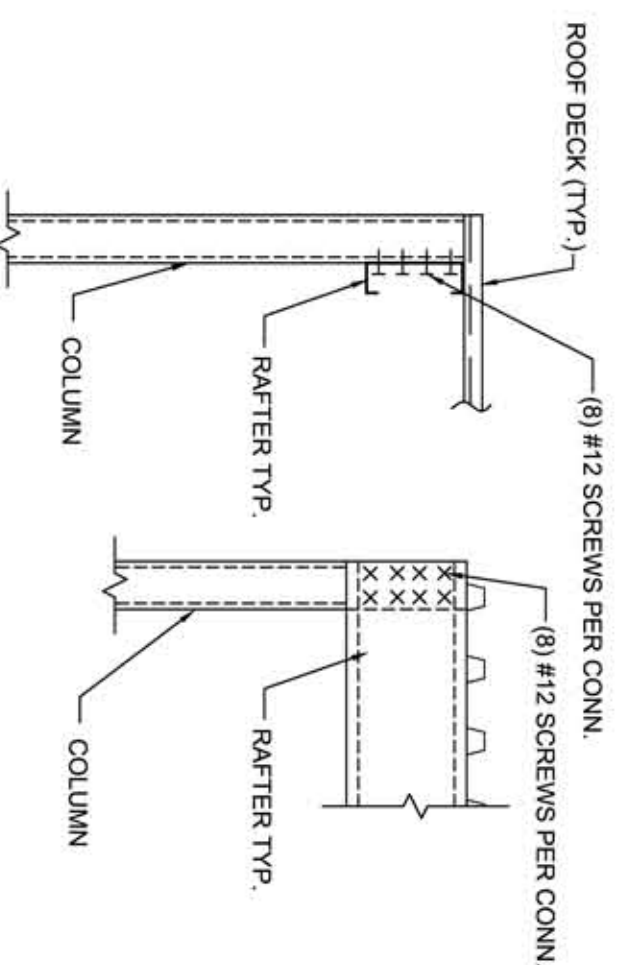
1A STANDARD FOOTING

3/4" = 1'-0"



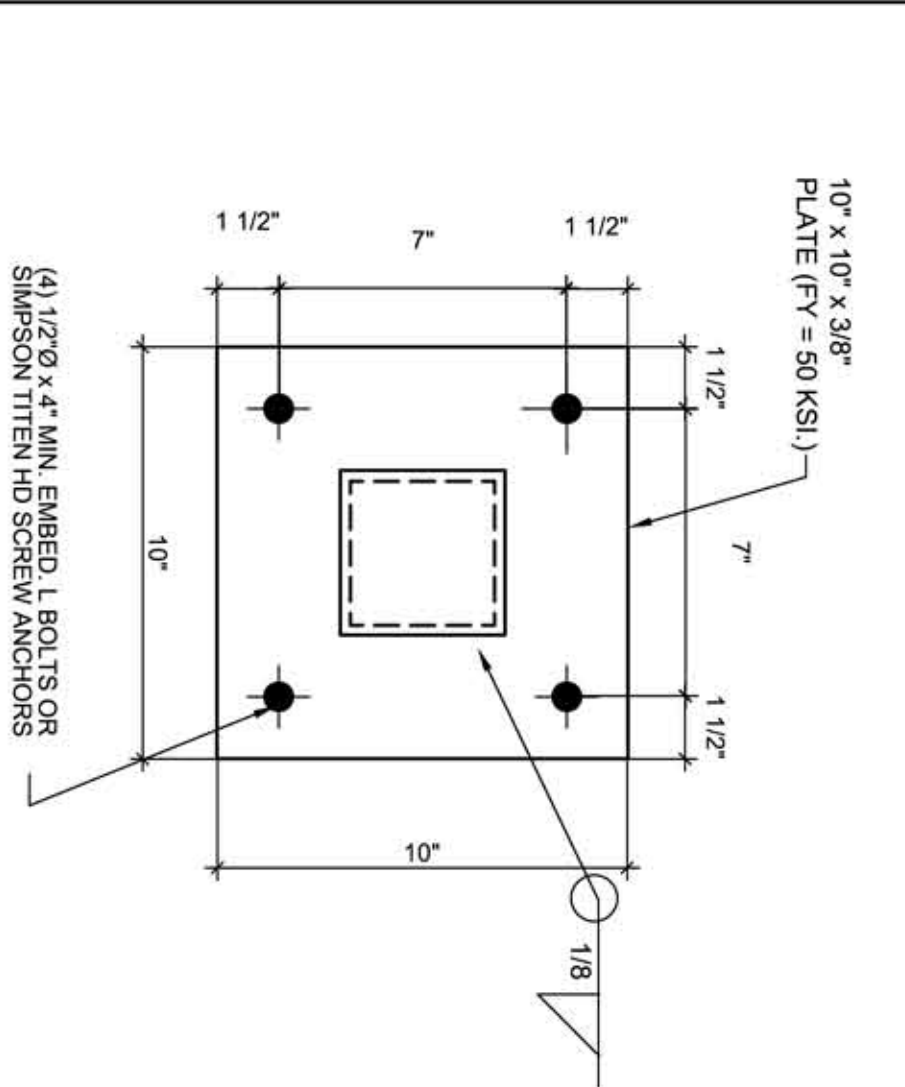
1B CASSION FTG. W/ BASE PLATE

3/4" = 1'-0"



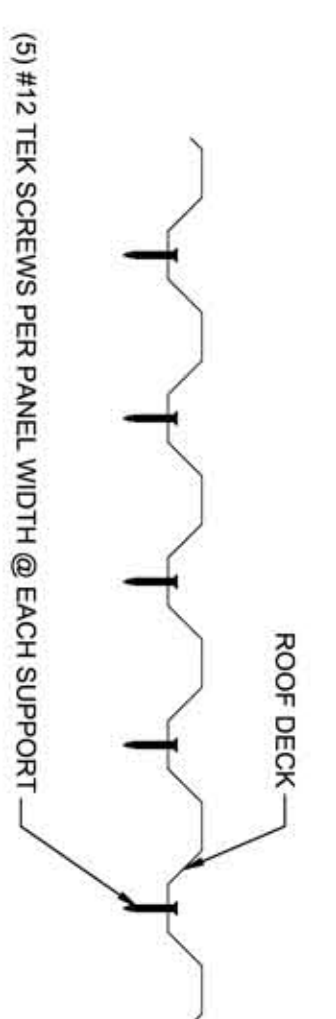
2 PURLIN TO COLUMN CONN.

3/4" = 1'-0"



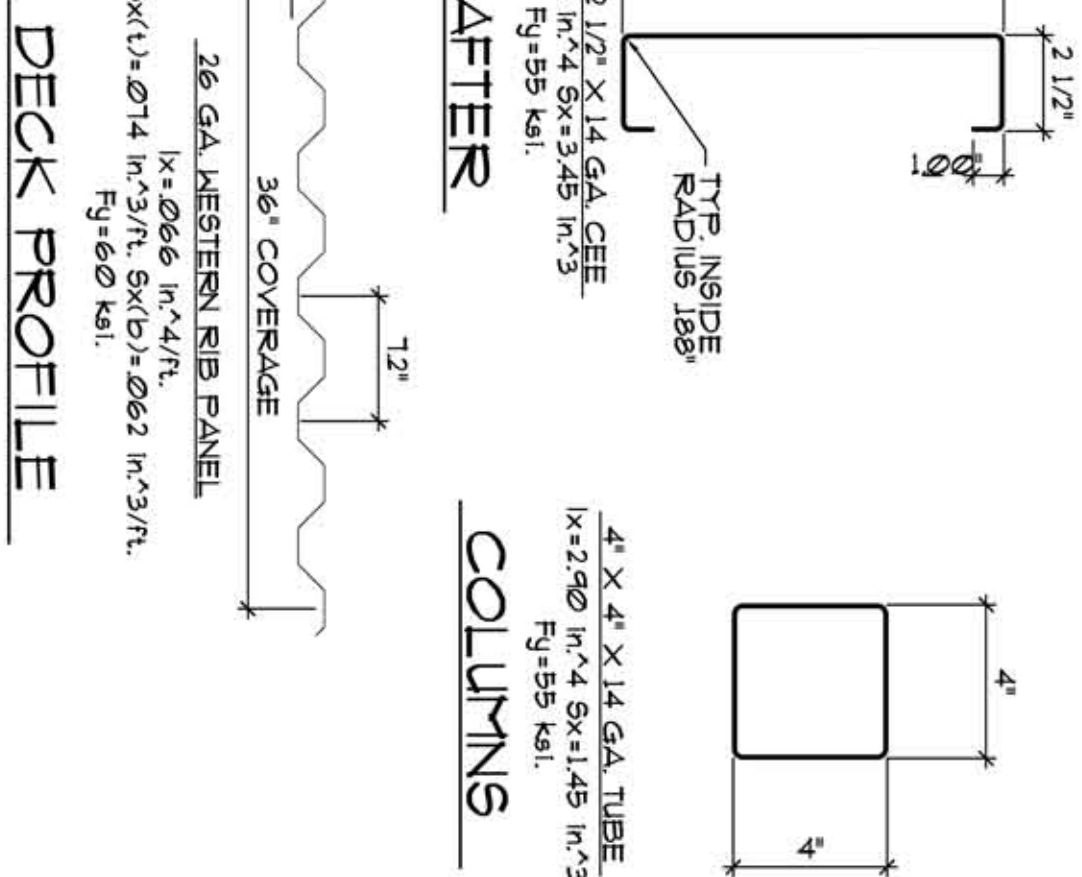
3 BASE PLATE FOR DETAIL 1B

1" = 1'-0"



4 ROOF DECK CONNECTION

3/4" = 1'-0"



BASE PLATE SOLD SEPERATELY

GENERAL STRUCTURAL NOTES

- CODE:
 - 2006 International Building Code
 - 2001 American Iron and Steel Institute Handbook of Cold-Formed Steel Design
- LOADS:
 - Roof Live Load = 20 PSF (Red.)
 - Basic Wind Speed = 90 mph, Importance Factor (I) = 1.0, Exposure = C
 - Occupancy Category = II, Seismic Design Category = D
 - Basic Seismic - Force - Resting System:
 - Lateral: Cantilevered Columns
 - Longitudinal: Cantilevered Columns
 - Analysis Procedure: Equivalent Lateral Force Procedure
- FOUNDATIONS:
 - Allowable soil bearing value is 1500 PSF at 18" below finish grade or existing natural grade, whichever is the lower elevation. Round or square cassion footing embedment depths for footings do not apply to locations where walls of the hole will not stand without supplemental support, or where UNCOMPACTED fill of organic fill material exists. Design lateral soil pressure per IRC section 1804.2 for Class 5 soils.
- CONCRETE:
 - All concrete herein required shall be done in accordance with ACI Standard 318-95, "Specifications for Structural Concrete for Buildings", which is hereby made a part of these documents, with the following modifications:
 - Para 2.1.2 Cement shall comply with ASTM C150, Type II, and shall contain no flyash.
 - Para 3.2.2 F_c shall be 2,500 PSI minimum for all concrete at 28 days for all concrete.
 - Para 4.1.3 The use of earth cuts for forms is permitted.
 - Para 5.2 Reinforcing shall be new billeted steel complying with ASTM A615, Grade 40.
 - Concrete shall be thoroughly consolidated by suitable means during placement and shall be thoroughly worked around reinforcement and embedded fixtures and into corners of the forms.
 - Curing of concrete shall be in accordance with sections 1905.11.1 through 1905.11.3.
- STRUCTURAL STEEL:
 - All structural steel shall be ASTM A36 (F_y=36,000 PSI) or ASTM A 572 GRADE 50 (F_y=50,000PSI); All pipe shall be ASTM A 501 (F_y=36,000 PSI) or ASTM A53, Type E, or S, grade "B" (F_y=36,000 PSI). All tubular steel shall be ASTM A500 (F_y=46,000 PSI). All bolts shall be ASTM A325, Latest AISC and AWS codes apply. All construction per latest AISC handbook. All expansion bolts to have current L.C.C. approval. All welding by welders holding valid certificates and having current experience in type of weld shown on the drawings or notes. Certificates shall be those issued by and accepted testing agency. All welding by E70 series low hydrogen rods. (Use E80 for ASTM A706 - grade 40 reinforcing bars). All welding per American Welding Society Standards.
- DRAWING SEALING REQUIREMENT:
 - These drawings are to be wet sealed by the engineer. All copies shall bear wet seals.
 - If a copy of this drawing is disturbed without the proper wet seal the drawing is considered invalid. The duplication or copying of this drawing could mean the original drawing has been modified from its original content. All ink is removed from the below wet sealed. All wet sealed drawings are signed in Blue Ink and are accompanied with a red ink VALD ONLY WHEN WET SEALED stamp.
- STEEL DECKING / SCREW FASTENERS:
 - Steel roof deck shall conform to the specifications of the steel deck institute. F_y = 80 KSI.
 - Screw connections to framing members shall be not less than noted below:
 - All Purlin End Laps Use (#) #12-14 tek screws per sheet. All Purlin Intermediate supports use (3) #12-14 tek screws per sheet.
 - To all panel laps which covers #14-5/4" Tek screws @ 18" o.c.
 - To all panel continuous over minimum two spans @ 18" o.c.
 - Minimum spacing of screws shall not be less than 3 diameters.
 - The head of the screw or washer shall have a diameter, Øw of not less than 5/16" washers shall be at least .005" thick.
 - All screws shall conform to SAE J78 provisions of structural screws.
- LIGHT GAUGE STRUCTURAL STEEL FRAMING:
 - All structural steel framing material and its erection shall be in accordance with the latest edition of the American Iron and Steel Institute "Specifications for the Design of Cold Formed Steel Structural Members".
 - All welding to be prepared by welders holding a valid certificate and having current experience in light gauge steel. Certificates shall be issued by an accepted testing agency. Do not drill or notch members without prior approval of the structural engineer. All welding to be performed in an approved fabricators shop.
 - The structural steel members are furnished to a specified minimum yield point greater than 55 KSI. The grade and the ASTM specification number or other specification designation shall be indicated by painting, decal, tagging or other suitable means on each lift or bundle of fabricated elements.
- DESIGN TABLE:

Gage No.	12	14	16	18	20	22	24	26	29	30
Design Thickness, Inches	0.1046	0.0747	0.0598	0.0478	0.0359	0.0299	0.0239	0.0179	0.0135	0.0120
- CONTRACTOR:
 - The contractor must submit in writing any requests for modifications to the plans and specifications and no structural changes from the approved plans shall be made in the field, unless prior to making changes, written approval is obtained from the engineer. Shop drawings submitted by the engineer for review do not constitute in writing unless it is noted that specific changes are being requested. If changes are made without written approval, such changes shall be the legal and financial responsibility of the contractor or sub-contractors involved and it shall be their responsibility to verify the condition as directed by the engineer.
 - Contractor shall provide all temporary bracing, shoring, guying or other means to avoid excessive stresses and to hold structural elements in place during erection. The provisions shall remain in position until sufficient permanent members are erected to insure the safety of the partially erected structures. The contract structural drawings and specifications represent the finished structure. Observation visits to the site by the structural engineer shall not include inspection of the above items. The above notes and specifications shall meet or exceed all state and local code requirements before erection.
 - The undersigned engineer will not supervise the fabrication or erection of this structure.

WESTERN STATES DECKING, INC.
18' x 18' x 10'-0" MAX
4 POST CARPORT / 2 CARS
20 PSF, 90 MPH, SEISMIC ZONE 'D'
NEVADA

DESIGN	RVN
DRAWN	RVN
CHECK	SWS
DATE	10/15/08

PLAN VIEWS & ELEVATIONS
 DETAILS & PROFILES